



Sensis is a smart Thermal Management device for enclosure that meets alone all the needs of climate control, predictive maintenance and inter-connectivity. Sensis measures the temperature and humidity inside the enclosure, registers the exceeding of critical thresholds or the opening of cabinet door, as well as interacts with the main field buses or the network.

| Technical data | | |
|-------------------------|------------------------|----------|
| APPROVALS | | |
| Approvals | CE; cULus | |
| ELECTRICAL DATA | | |
| Max Relè Output Voltage | 250 | V a.c. |
| Rated Voltage | 24 | V d.c. |
| Rated Current | 150 | mA |
| Rated Power | 3.6 | W |
| Operating Voltage | 21.6-26.4 | V d.c. |
| Appliance Class | II | |
| Max Contact Current | 8 | A |
| GENERIC DATA | | |
| Protocol | Sercos III | |
| Accuracy | ± 3.5 | % RH |
| Accuracy | ± 1 | K |
| Casing Material | PC/ABS | |
| RAL Number | 7035 | |
| Sensor Type | Electronic | |
| Setting Range | 0÷50 32÷122; 32÷210 | °C °F |
| Setting Range | 0÷99 | % RH |
| Setting Resolution | 1 34 | °C °F |

Image is for illustrative purpose only. All specifications, data and drawing are subject to change without notice. Please refer to our terms of sales including our warranty and limited liabilities clauses.

Kontakt Daten für Anfragen und Bestellungen:

MBI GmbH • Ubstadter Pfad 5 • 76694 Forst

Tel. 0049 7251/3020408 • Fax 0049 7251/3020409 • E-Mail: info@mbi-gmbh.de • Web: www.mbi-gmbh.de

| Technical data | | |
|--------------------------------|----------------|-----------------|
| Electrical Connection | Terminal Block | |
| Rated Differential | ± 2 | % RH |
| Rated Differential | ± 2 | K |
| Wires Section | 22-12 | AWG |
| Wires Section | 0.5-2.5 | mm ² |
| Fixing System | DIN rail | |
| ENVIRONMENTAL AND THERMAL DATA | | |
| IP Protection Degree | IP20 | |
| Operating Temperature | -10÷55 | °C |
| | 14÷131 | °F |
| Storage Temperature | -25÷70 | °C |
| | -13÷158 | °F |
| Max Humidity | 99 | % RH |
| UL DATA | | |
| UL File Number Listed | E504624 | |

Image is for illustrative purpose only. All specifications, data and drawing are subject to change without notice. Please refer to our terms of sales including our warranty and limited liabilities clauses.

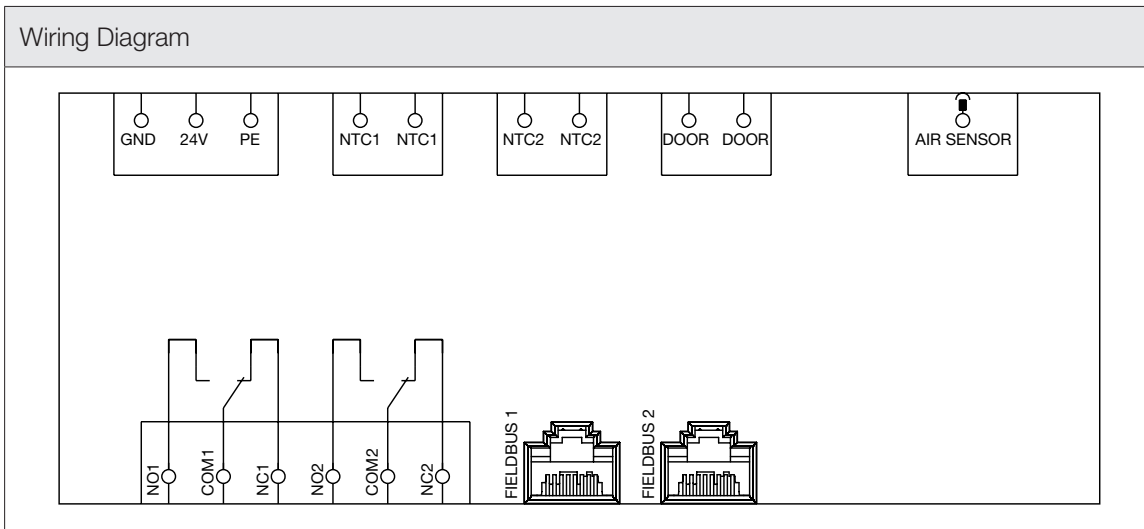
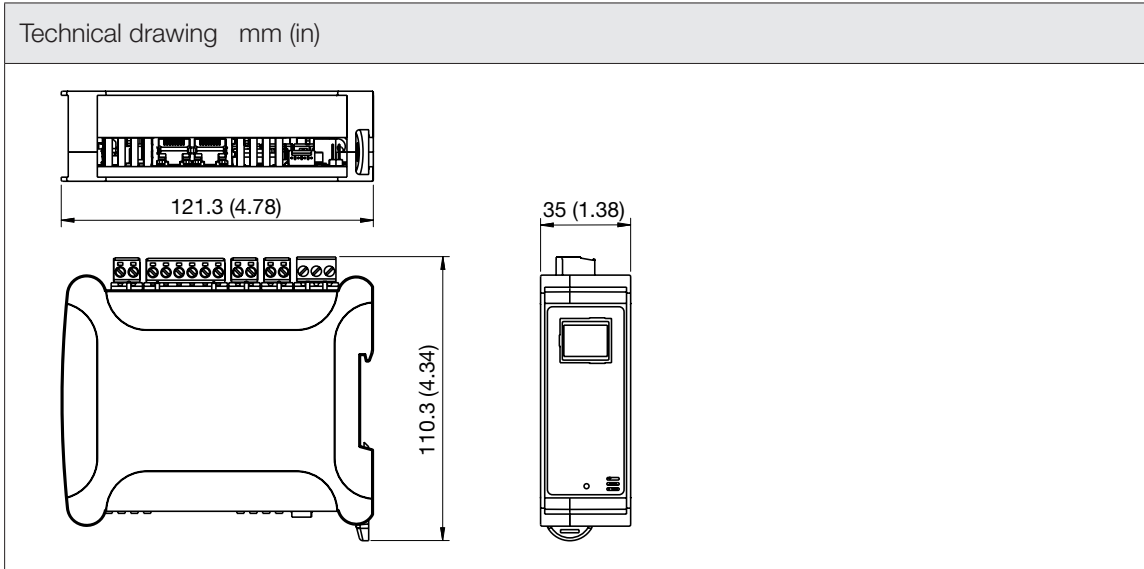


Image is for illustrative purpose only. All specifications, data and drawing are subject to change without notice. Please refer to our terms of sales including our warranty and limited liabilities clauses.

Kontakt Daten für Anfragen und Bestellungen:

MBI GmbH • Ubstadter Pfad 5 • 76694 Forst
Tel. 0049 7251/3020408 • Fax 0049 7251/3020409 • E-Mail: info@mbi-gmbh.de • Web: www.mbi-gmbh.de

BRAND: Fandis