



Fandis thermostats provide a reliable solution for accurate temperature control in protecting sensitive electronic components. Available with normally closed, normally open or change-over contacts, these mechanical regulators are used with ventilation or heating products to keep the desired thermal conditions inside the enclosure.

Technical data		
APPROVALS		
Approvals	CE; cURus	
ELECTRICAL DATA		
Rated Voltage	110-250	V a.c.
Rated Voltage	60	V d.c.
Rated Current	10	A
Operating Voltage	12-60	V d.c.
Appliance Class	II	
Max Contact Current	15	A
GENERIC DATA		
Accuracy	±3	K
Casing Material	PA66 UL 94V-0	
RAL Number	7035	
Sensor Type	Bi-Metal	
Setting Range	-10÷80	°C
	14÷176	°F
Setting Resolution	5	°C
	41	°F
Electrical Connection	Terminal Block	
Life Expectancy	100000	Cycles
Rated Differential	7	K
Wires Section	18-14	AWG

Image is for illustrative purpose only. All specifications, data and drawing are subject to change without notice. Please refer to our terms of sales including our warranty and limited liabilities clauses.

AMBIENT CONTROL thermostats

TRT-10A230V-NO

mechanical

Technical data		
Wires Section	0.75-2.5	mm ²
Fixing System	DIN rail	
ENVIRONMENTAL AND THERMAL DATA		
IP Protection Degree	IP20	
Operating Temperature	-10÷80	°C
	14÷176	°F
Storage Temperature	-40÷90	°C
	-40÷194	°F
Max Humidity	90	% RH
UL DATA		
UL File Number Recognized Component	E247491	

Image is for illustrative purpose only. All specifications, data and drawing are subject to change without notice. Please refer to our terms of sales including our warranty and limited liabilities clauses.

Kontaktdaten für Anfragen und Bestellungen:

MBI GmbH • Ubstadter Pfad 5 • 76694 Forst

Tel. 0049 7251/3020408 • Fax 0049 7251/3020409 • E-Mail: info@mbi-gmbh.de • Web: www.mbi-gmbh.de

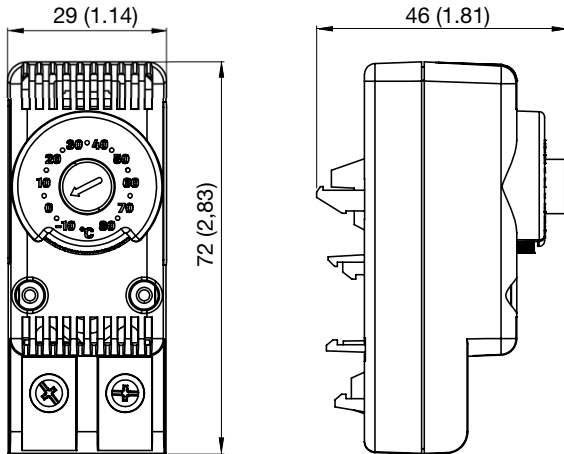
BRAND: Fandis

AMBIENT CONTROL thermostats

TRT-10A230V-NO

mechanical

Technical drawing mm (in)



Wiring Diagram

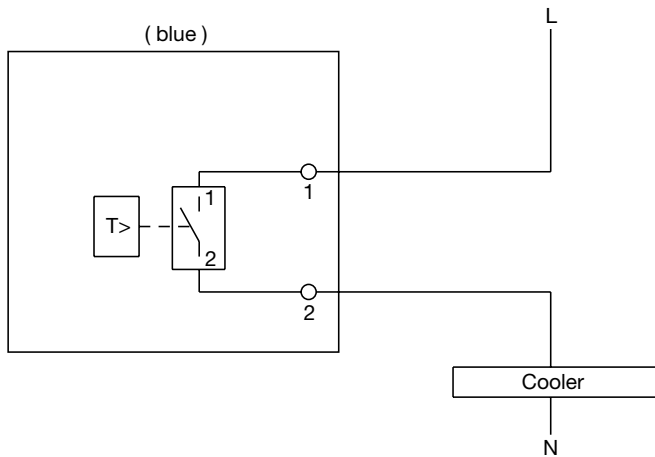


Image is for illustrative purpose only. All specifications, data and drawing are subject to change without notice. Please refer to our terms of sales including our warranty and limited liabilities clauses.

Kontaktaten für Anfragen und Bestellungen:

MBI GmbH • Ubstadter Pfad 5 • 76694 Forst

Tel. 0049 7251/3020408 • Fax 0049 7251/3020409 • E-Mail: info@mbi-gmbh.de • Web: www.mbi-gmbh.de

BRAND: Fandis